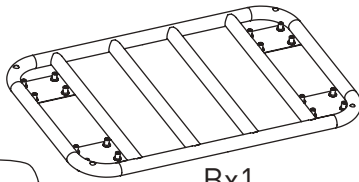


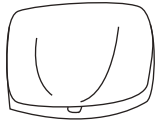
Ax1



Bx1



Ex2



Lx1



Fx2



lx16



Gx16



Hx16



Dx8



Jx8

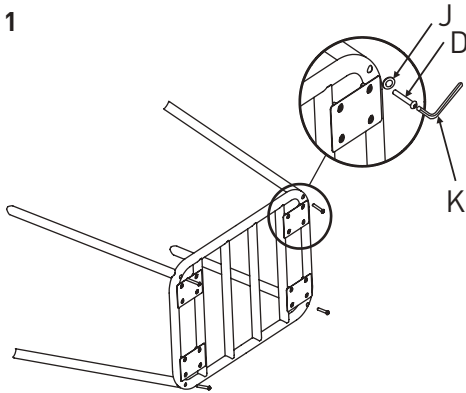


Cx4

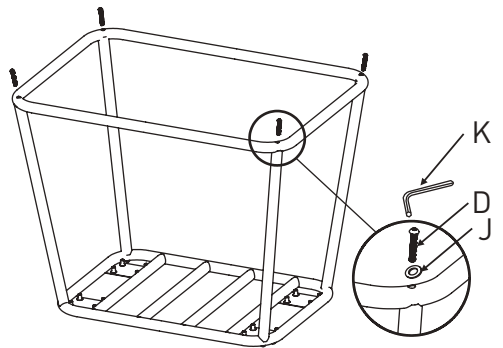


Kx1

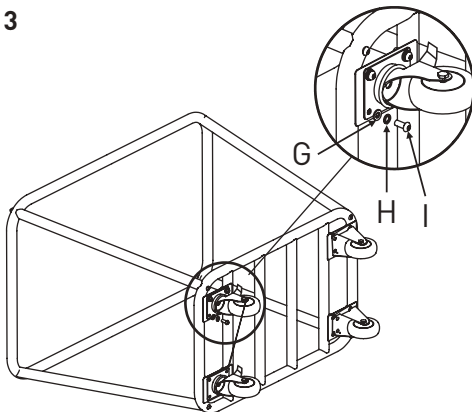
1



2



3



4

